

# Technical Manual

# IS8 Performance™ Series



### ACOUSTIC & ELECTRICAL SPECIFICATIONS:

- Nominal Impedance 8 Ohms
- Max Amp Power 100 Watts\*
- Frequency Response 30Hz – 20kHz (–10dB)
- Sensitivity 89dB (2.83V @ 1 meter)
- Crossover Frequency 2,400Hz

### SYSTEM COMPONENTS:

- Grille, Gray 590-0267
- Low-Frequency Transducer 8" (203mm) Titanium-laminate cone w/rubber surround (590-0282)
- DC Resistance 5.4 Ohms, ±10%
- High-Frequency Transducer 1" (25mm) Titanium-laminate dome, w/swivel mount (590-0284)
- DC Resistance 7.4 Ohms, ±10%
- Crossover Network 590-0283

### AURAL SWEEP TEST SPECIFICATIONS:

- System Aural Sweep Test 6.0V Input 30Hz to 20kHz
- L.F. Aural Sweep Test 5.0V Input 30Hz to 3kHz
- H.F. Aural Sweep Test 2.83V Input 1kHz to 20kHz

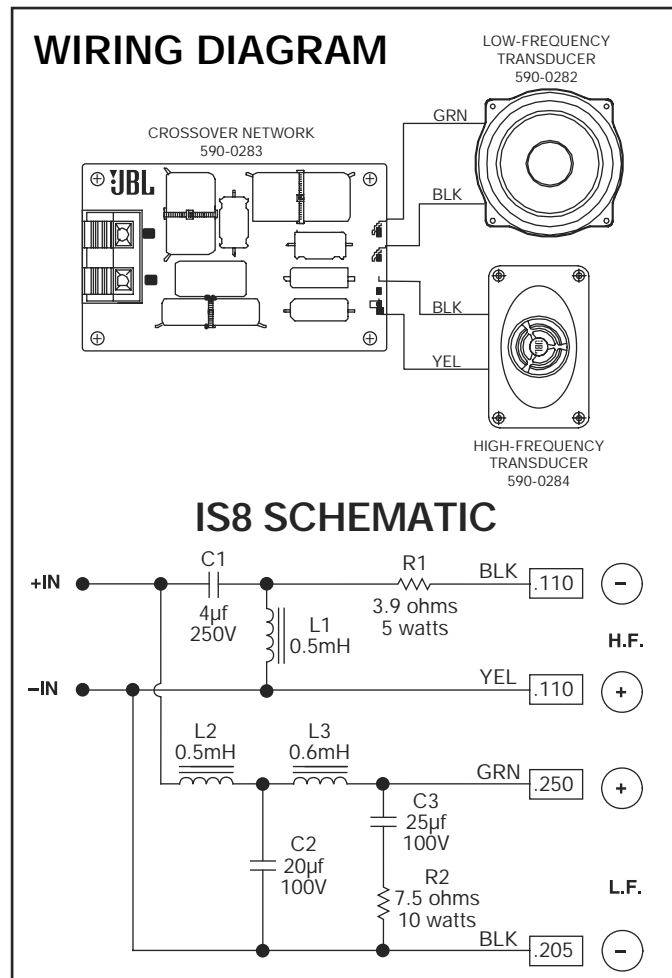
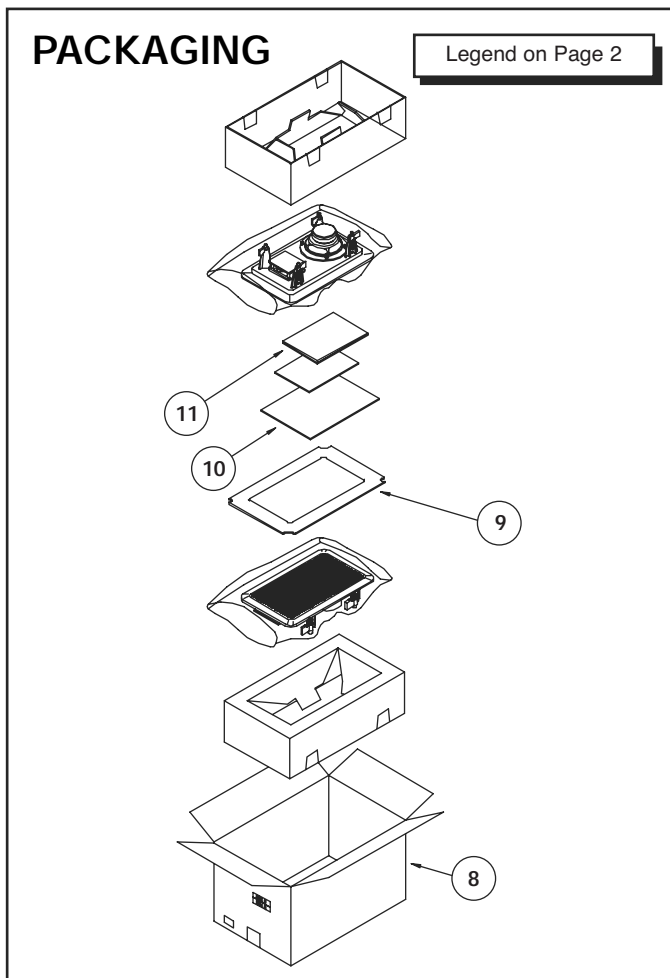
### PHYSICAL SPECIFICATIONS:

- Plate Size (W x H) 10-1/8" x 13-1/8" (257mm x 333mm)
- Mounting Cutout Size 8-7/8" x 11-13/16" (225mm x 300mm)
- Mounting Depth 4" (102mm)
- Weight 15.6 lb/7.0kg (sold in pairs)

### WARRANTY:

- Refer to Warranty Statement packed with each product.

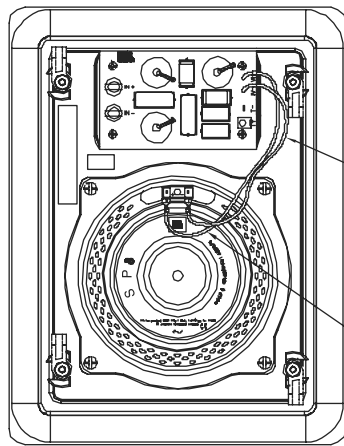
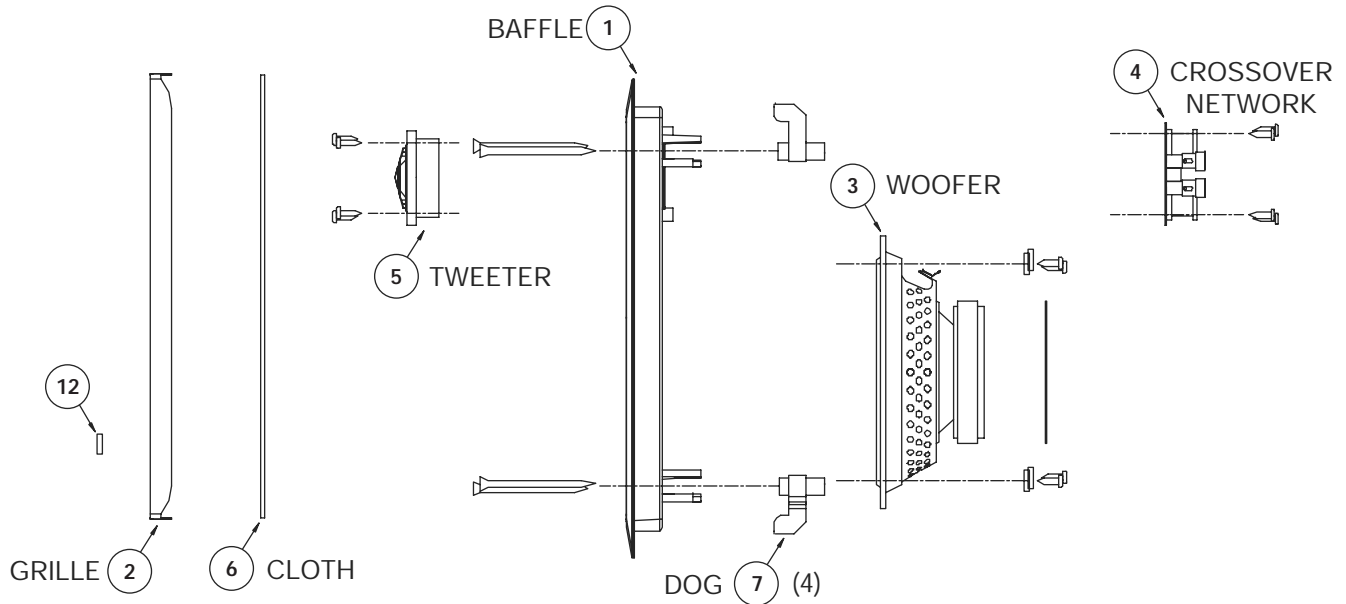
\* The maximum recommended amplifier power rating will ensure proper system headroom to allow for occasional peaks. We do not recommend sustained operation at these maximum power levels.



IS8 Performance™ Series



## EXPLODED VIEW

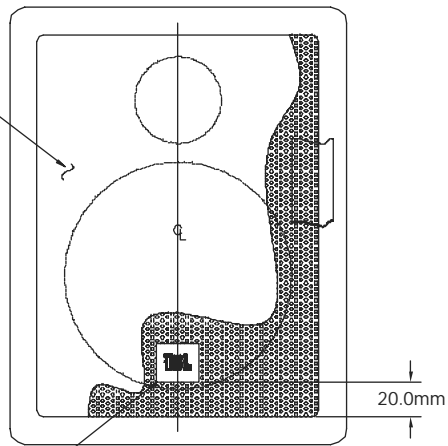


BACK VIEW

REF 2

BLACK WIRE CONNECTS TO - TERMINAL

GREEN WIRE CONNECTS TO + TERMINAL



FRONT VIEW

ITEM NO.	PART NO.	DESCRIPTION	ITEM NO.	PART NO.	DESCRIPTION
1	590-0194	BAFFLE IS8	7	590-0173	DOG EAR W/SCREW
2	590-0267	GRILLE ASS'Y	8	220-0739	OUTER CARTON
3	590-0282	8" WOOFER	9	220-0438	TEMPLATE
4	590-0283	CROSSOVER NETWORK	10	170-1034	OWNER'S MANUAL
5	590-0284	1" TWEETER	11	N/A	WARRANTY CARD
6	GRILLE CLOTH not sold alone - see 590-0267		12	180-0030	JBL LOGO

IS8 ROUGH-IN FRAME part #RIF8